

# Nano-N3061

10th Gen Intel® Core™ Processor - Network Security



## FEATURES

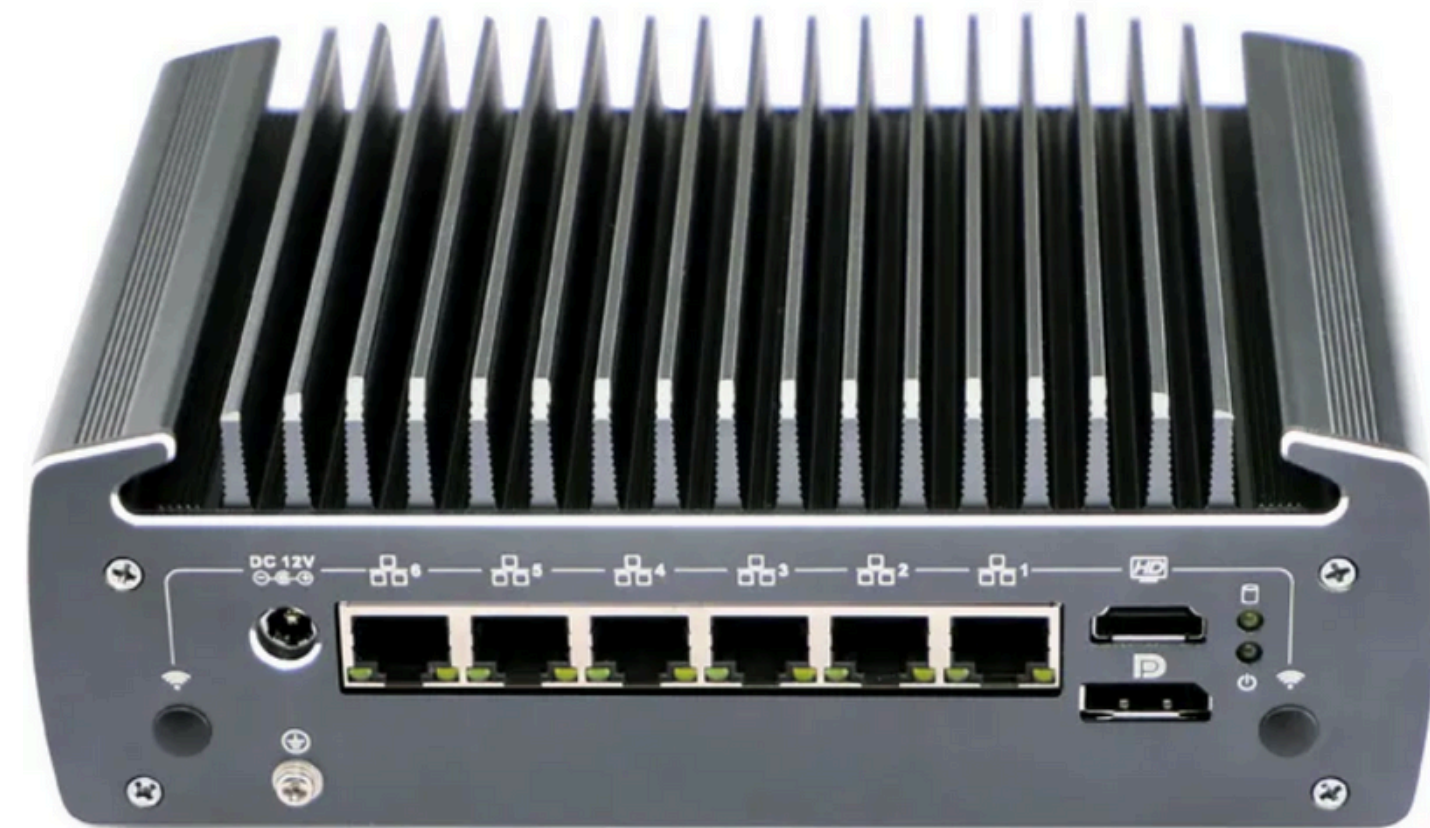
- Fanless Aluminum Design
- 10th Gen Intel® Core™ Processor
- 6 × Intel i226-V 2.5G LAN Ports (4 × POE optional)
- 1 × M.2 3052 B-key (5G modem optional)
- 3 × M.2 (support WiFi and 4G/5G)
- 2 × DDR4, Max. 64 GB
- Support TPM 2.0 security encryption

## SPECIFICATION

SYSTEM	
Processor	Intel® Core™ i3-10110U (dual core, 4 threads, 2.1GHz, Max.Turbo 4.1GHz,TDP15W) Intel® Core™ i5-10210U (quad core, 8 threads, 1.6GHz, Max.Turbo 4.2GHz, TDP15W) Intel® Core™ i7-10810U (6 core, 12 threads, 1.1GHz, Max.Turbo 4.9GHz, TDP15W)
Memory	2 × DDR4 2666MHz SODIMM, Max. 64 GB
BIOS	AMI EFI BIOS
Display Chip	Intel® UHD Graphics
Display Port	1 × HDMI 1 × DP Support synchronous/asynchronous 2 display DP interface resolution up to 4096 × 2160@60Hz)
Storage	1 × M.2 1 × 2.5-inch HDD/SSD Support RAID 0/1
Expansion	1 × M.2 2280 M-key (support SATA protocol and NVME protocol) 1 × M.2 2230 E-key (support WiFi, Bluetooth) 1 × M.2 3052 B-key (USB 3.0 signal,support 4G/5G), 1 × Nano-SIM Slot on the plate
OS Support	Windows 10, Windows 11, Linux, iKuai, pfSense
Front I/O	3 × USB 3.0 3 × USB 2.0 1 × Power Button 1 × RJ45 COM Port (support console)
Rear I/O	6 × RJ45 1000Mbps LAN Ports 1 × DC-In 1 × DP 1 × HDMI
Ethernet	6 × Intel i226-v 2.5G LAN Ports, LAN 3-6 can be 802.3af standard POE LAN (option)
Power	DC 12V
Other Function	Auto power on when there is electricity,Timing boot,Wake on LAN,PXE boot, Watchdog (0~255 level)
Application	Firewall, VPN, Network Server, Network Security, Router etc.
ENVIRONMENT	
Operating Temperature	0°C ~ 50°C (Commercial HDD), -20°C ~ 50°C (Industrial SSD), surface air flow
Relative Humidity	0% ~ 95% (non-condensing)
Certification	CE, CCC, FCC Class A, RoHS
MECHANISM	
Dimension	186 × 126.5 × 66 mm
Net Weight	1.3 kg



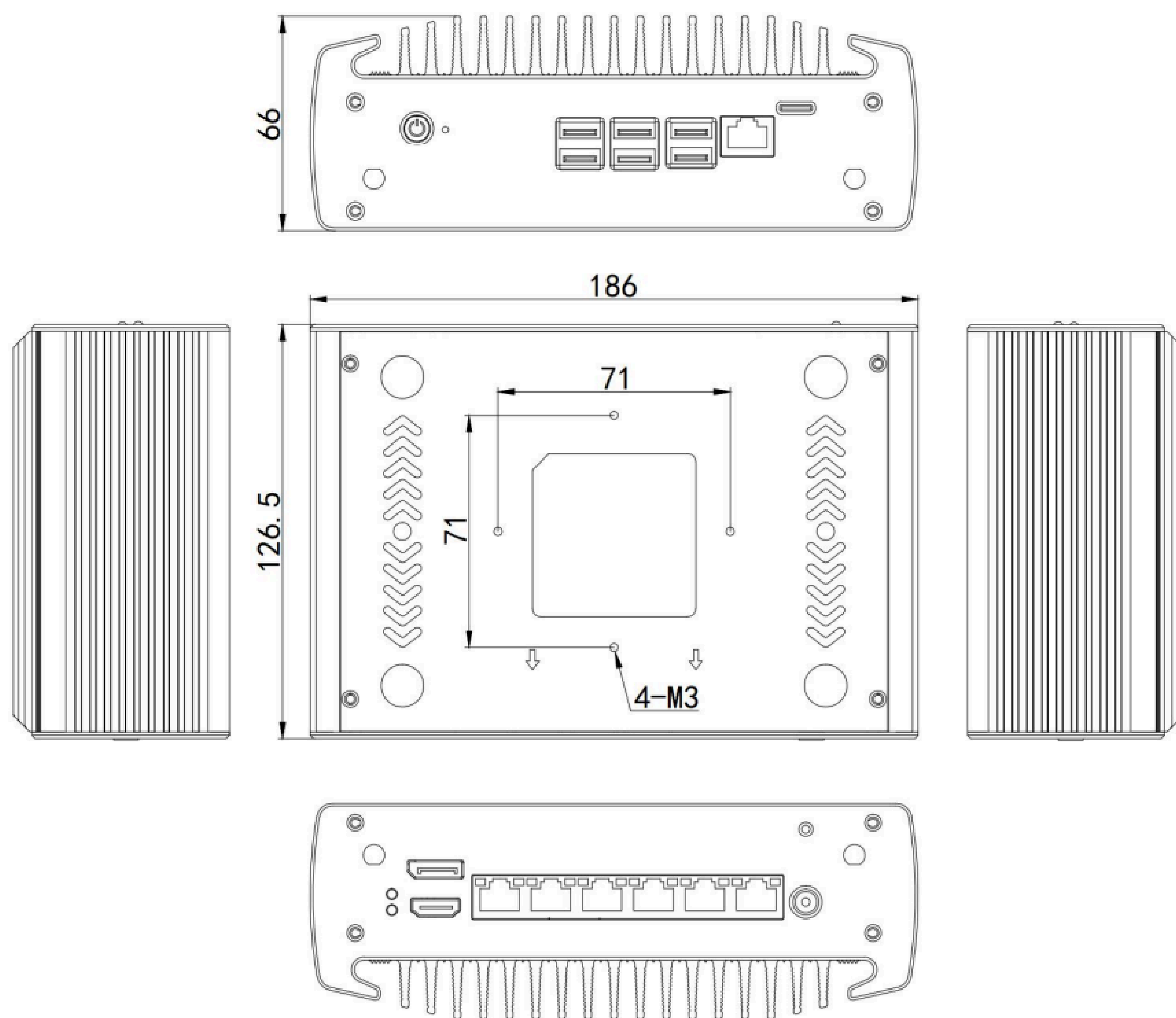
Front View



Rear View

## DIMENSION

unit:mm





## ORDER INFORMATION

Nano N3061	CPU	Specification
Configuration 1	Intel® Core™ i3-10110U	Standard I/O, 2.5G LAN Port
Configuration 2	Intel® Core™ i5-10210U	Standard I/O, 2.5G LAN Port
Configuration 3	Intel® Core™ i7-10810U	Standard I/O, 2.5G LAN Port

### Remarks:

1. Since the 5G module requires four antennas, 2 WIFI holes on the panel need to be added to use WIFI and 5G at the same time; 2. The POE function needs to be equipped with a POE power supply module; please consult the pre-sales technical personnel for details.

## ACCESSORY

Part Name	Quantity	Specification
Power Adapter	1	Intel® Core™ i3/i5 12V 5A Intel® Core™ i7 12V 7.5A
Power Cord	1	CN, US, UK, EU etc.
VESA Bracket	1	Standard